

Kamstrup 382

Generation M

DATA SHEET

- **3-phase residential meter**
 - **Prepared for Smart Home applications**
 - **Optimised for Smart Metering systems**
 - **Secured against tampering**
 - **Resistant to errors in the supply network**
 - **Ultra-low power consumption**
- **Type approved according to:**
 - Active energy
EN 50470-1 (MID)
EN 50470-3 (MID)
 - Active energy and reactive energy
IEC 62052-11
IEC 62053-21
IEC 62053-23



Application

Kamstrup 382M is a direct connected electricity meter for registration of electric energy. The meter is full electronic without movable parts. Thus, energy registration is not affected by shock or impact during transport and mounting. Furthermore, measurements are correct, no matter the physical mounting direction.

The shunt measuring principle secures good linearity and a considerable dynamic range. At the same time, the shunt measuring principle is immune to magnetism and DC currents.

The easily readable display scrolls automatically between readings, or readings can be changed manually by the consumer activating a push button. The required display readings as well as their order are configurable.

In addition to being read from the display, data can be collected via the optical output or from the module area. The unique module area also permits external changing of tariffs, pulse inputs and outputs, and configuration as well as a wide range of communication media.

From the factory, the meter can be configured to measure both imported and exported energy. As it is constructed with three independent and galvanically separated measuring systems, the meter makes accurate measurements whether it measures 1, 2 or 3 phases. Measurements are saved in a permanent memory.

As default, Kamstrup 382M can generate load profiles in all four quadrants.

A load profile provides detailed information about consumed and produced energy. An additional logger with 16 channels contains data for analysis purposes.

As default, Kamstrup 382M is supplied with the functions Smart Disconnect and software controlled Prepayment.

The meter registers loss of neutral conductor and allows automatic disconnection to avoid damages to household appliances.

In order to minimise the manual configuration during installation, the meter is pre-configured from the factory. Furthermore, the meter can be reconfigured via a Smart Metering system.



Kamstrup 382 – Generation M

DATA SHEET

Contents

| | |
|------------------------------------|----|
| Functions | 3 |
| Approvals | 6 |
| Technical data | 7 |
| Connections | 8 |
| Communication | 9 |
| CCC-module | 9 |
| Typical accuracy charts | 10 |
| Installation | 11 |
| Safety and installation guidelines | 11 |
| Dimensions | 12 |
| Accessories | 12 |

Kamstrup 382 – Generation M

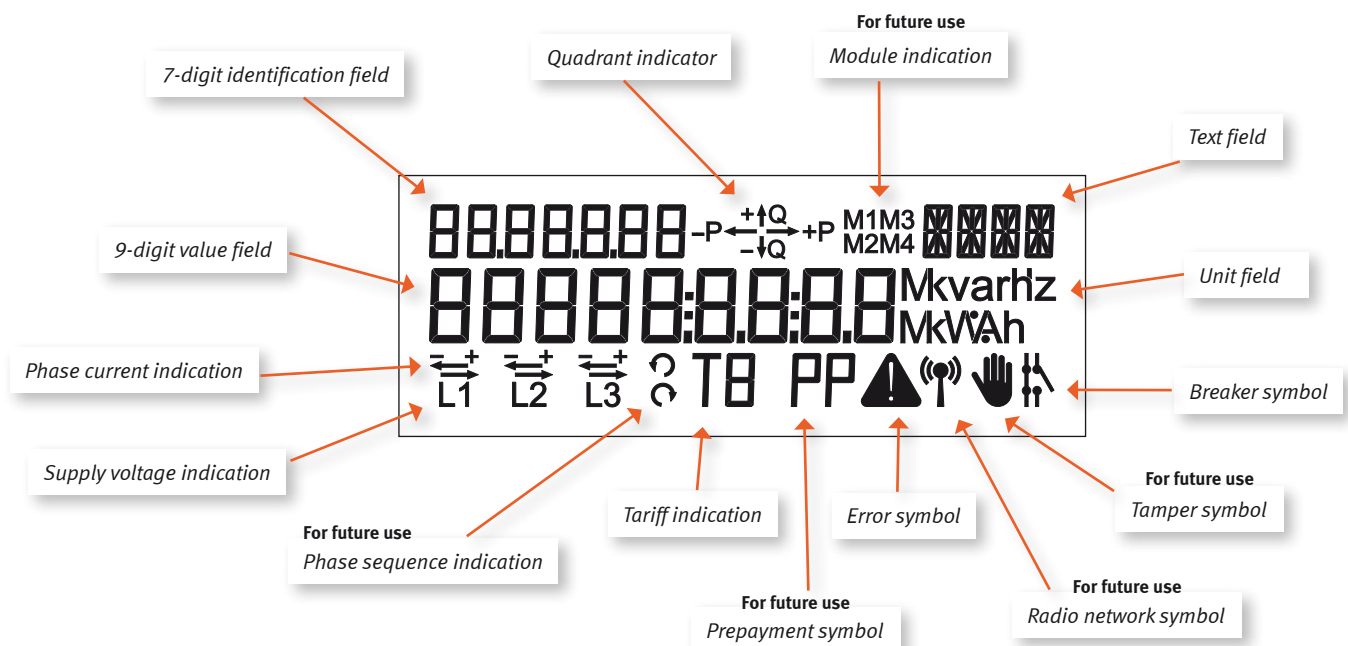
DATA SHEET

Functions

Display

Kamstrup 382M is provided with a Liquid Crystal Display (LCD). The registers that can be read from the display depend on the chosen configuration. It is also possible to remotely configure the display.

The display configuration is constructed as three independent display lists: One for automatic shift function, one for manual shift function and one for back-up-powered shift function. The display is constructed of segments as shown in the figure below.



| | |
|-------------------------------|---|
| 9-digit value field: | This field is used for displaying register values. |
| Unit field: | This field is used for displaying the units that are related to the value field. |
| 7-digit identification field: | OBIS code identification of the value in the value field. |
| Quadrant indicator: | Indicates the current load type. |
| Text field: | Contains additional text in connection with the meter's function. |
| Error symbol: | Indicates critical internal errors, magnetic influence or opening of meter cover. |
| Breaker symbol: | Indicates the current position of the breaker. If the meter is without break, there is no indication. |
| Tariff indication: | Indicates the current tariff if tariffs have been selected. |
| Supply voltage indicator: | Indicates that the voltage is above the minimum threshold (160 V). |
| Phase current indication: | Indicates that the load is above the minimum threshold (2.3 W). |

Kamstrup 382 – Generation M

DATA SHEET

Functions

Display

The automatic shift function (scroll) changes between the selected readings every 10 seconds. Historical data cannot be selected in the automatic shift function. Up to 16 readings can be selected.

The manual shift function changes through activation of the left push button. Up to 30 readings and the reading order can be selected. However, it is not possible to deselect the **legal** readings.

If the back-up-operated shift function is selected, it becomes possible to read the display, also when the meter is not power supplied. Up to 8 readings can be selected, and shifts between readings are made by activating the push button.

The meter automatically returns from manual shift function to automatic scroll function two minutes after the last activation of the push button.

Energy reading

Kamstrup 382M has one shunt per measuring system and resistance division for voltage measurement.

Energy consumption is calculated as an expression of the current compared to the phase voltage and time.

The energy registration per measuring system is communicated to the meter's legal processor via the meter's own internal bus system and is summed in the meter's main registers.

Permanent memory

Measured and calculated data are stored in the meter's permanent memory. Data are stored by every change of energy register values.

Furthermore, the below mentioned values are stored at the end of a debiting period:

| |
|-----------------------------------|
| Active energy A+ |
| Active energy A- |
| Reactive energy R+ |
| Reactive energy R- |
| Active energy A+ Tariff (T1-T4) |
| Reactive energy R+ Tariff (T1-T4) |
| Peak power P+max Tariff 1 |
| Peak power P+max Tariff 1 Hour |
| Peak power P+max Tariff 1 Date |
| Peak power P+max Tariff 2 |
| Peak power P+max Tariff 2 Hour |
| Peak power P+max Tariff 2 Date |
| Peak power P+max |
| Peak power P+max Date |
| Peak power P+max Hour |
| Accumulated peak power P+max acc |
| Date |
| Hour |
| Hour counter |
| Number of debiting periods |
| Power threshold counter |
| Pulse input |

Kamstrup 382 – Generation M

DATA SHEET

Functions

Plug-in modules

Kamstrup 382M can be mounted/retrofitted with plug-in modules without subsequent reverification.

The module communicates with the meter's microprocessor via an internal data bus. This provides innumerable functional possibilities such as extra pulse output, tariff, load control and data communication via e.g. GSM/GPRS, TCP/IP, Wireless M-Bus and Radio Mesh Network.

Optical reading

An optical sender/receiver is placed on the front of the meter. This optical connection can be used to read data or configure e.g. display set-up, meter number and other settings.

Changes via the optical connection can be made by using the software program METERTOOL.

It is not possible to change the meter's legal data.

SO pulse output

Emits pulses of active energy at 1000 pulses per kWh. The pulses are emitted synchronously with the LED. The maximum voltage, which may be connected to the SO output, is 27 V DC (at 1 k Ω), and the maximum current, which can be drawn through the output, is 27 mA. The pulse time is 30 msec.

Breaker

Kamstrup 382M is available with integrated disconnection function, which makes it possible to disconnect the electricity meter's supply outputs. The disconnection can be made locally by activating the meter's push button, automatically via the functions Smart Disconnect or Prepayment, or remotely via an automatic Smart Metering system.

Do **NOT** use the disconnection as a safety function.

The connection can be made via the same media as the disconnection. Furthermore, connection via push button can be configured to only be permitted after previous release command from a Smart Metering system.

The breaker is a bi-stable breaker that maintains its current position in the event of a power failure and after the subsequent re-establishment of power.

Load profile

Load profiles can be configured to 5, 15, 30 or 60 min. according to the integration period and for all four quadrants. The number of generated profiles corresponds to the selected energy type for the meter.

| Logging depth in days: | | | | |
|------------------------|----|-----|-----|------|
| Minutes | 5 | 15 | 30 | 60 |
| A+ | 92 | 275 | 550 | 1100 |
| A+/A- | 77 | 231 | 462 | 924 |
| A+/A-/R+/R- | 58 | 175 | 350 | 700 |

Analysis logger

Kamstrup 382M is provided with a configurable analysis logger. The logging depth will be 2.5 to 520 days depending on the configuration of the meter as well as the number of registers. The analysis logger can register data from up to 16 different registers at a time. Kamstrup 382M is available with default setting which can be reconfigured subsequently via METERTOOL or a Smart Metering system.

Tamper proof

Apart from the mechanical sealing, the meter also reveals tampering. In case of attempts of tampering (mechanical or magnetic), an alarm is activated which is time and date stamped and saved to the permanent memory. Alarms can be automatically transferred via the communication infrastructure and, in some case, indicated on the display. Magnetic influence does not affect the measuring accuracy.

Kamstrup 382 – Generation M

DATA SHEET

Approvals

Kamstrup 382M is type approved according to the Measuring Instruments Directive (MID) for active positive energy and according to the national requirements for other energy types, where required.

| Approval | Norm |
|-------------------------------------|--|
| Type test according to: | |
| – Active energy | EN 50470-1 EN 50470-3 |
| – Reactive energy and active energy | IEC 62052-11 IEC 62053-21 IEC 62053-23 |
| Various | Norm |
| Terminal | DIN 43857 |
| S0 pulse output | DIN 43864 |
| OBIS/EDIS codes | IEC 62056-61 |

Kamstrup 382 – Generation M

DATA SHEET

Technical data

| Measuring principle | Single-phased current measurements by current shunt Single-phased voltage measurements by voltage divider | | | | | | | | | | | | |
|----------------------------------|---|----------------------------------|-------------------------------|---------------------------------|--------------------------------|---------|---------|-----------------|--------|--------|--|-------|-------|
| – Current | | | | | | | | | | | | | |
| – Voltage | | | | | | | | | | | | | |
| Nominal voltage Un | 3x230 VAC -20 % - +15 % (for Aron meter only) 1x230 VAC -20 % - +15 % 2x230/400 VAC -20 % - +15 % 3x230/400 VAC -20 % - +15 % | | | | | | | | | | | | |
| Current | $I_{tr} - I_b (I_{max})$ | | | | | | | | | | | | |
| | <table border="1"> <thead> <tr> <th>Kamstrup 382M Without breaker</th> <th>Kamstrup 382M With breaker</th> </tr> </thead> <tbody> <tr> <td>0.25-5(100)A 35 mm²</td> <td>0.25-5(85)A 35 mm²</td> </tr> </tbody> </table> | Kamstrup 382M Without breaker | Kamstrup 382M With breaker | 0.25-5(100)A 35 mm ² | 0.25-5(85)A 35 mm ² | | | | | | | | |
| Kamstrup 382M Without breaker | Kamstrup 382M With breaker | | | | | | | | | | | | |
| 0.25-5(100)A 35 mm ² | 0.25-5(85)A 35 mm ² | | | | | | | | | | | | |
| Accuracy class | MID: Class A, Class B IEC: Class 2, Class 1 | | | | | | | | | | | | |
| Nominal frequency fn | 50/60 Hz ±5% | | | | | | | | | | | | |
| Phase displacement | Unlimited (however, not for Aron meters) | | | | | | | | | | | | |
| Operating temperature | -40 °C - +70 °C (readable display 0 °C - +50 °C) | | | | | | | | | | | | |
| Storage temperature | -40 °C - +85 °C (max 100 hours at +85 °C) | | | | | | | | | | | | |
| Protection class | IP54 | | | | | | | | | | | | |
| Protection class | II | | | | | | | | | | | | |
| Relative humidity | < 75 % year's average at 21 °C < 95 % less than 30 days/year, at 25 °C | | | | | | | | | | | | |
| Weight | 1.05 kg with breaker/ 0.90 kg without breaker | | | | | | | | | | | | |
| Application area | Indoors or outdoors in suitable meter cabinet | | | | | | | | | | | | |
| Internal consumption | | | | | | | | | | | | | |
| | <table border="1"> <thead> <tr> <th>Kamstrup 382M</th> <th>Without breaker</th> <th>With breaker</th> </tr> </thead> <tbody> <tr> <td>Current circuit</td> <td>0.01 VA</td> <td>0.02 VA</td> </tr> <tr> <td>Voltage circuit</td> <td>0.4 VA</td> <td>0.6 VA</td> </tr> <tr> <td></td> <td>0.1 W</td> <td>0.1 W</td> </tr> </tbody> </table> | Kamstrup 382M | Without breaker | With breaker | Current circuit | 0.01 VA | 0.02 VA | Voltage circuit | 0.4 VA | 0.6 VA | | 0.1 W | 0.1 W |
| Kamstrup 382M | Without breaker | With breaker | | | | | | | | | | | |
| Current circuit | 0.01 VA | 0.02 VA | | | | | | | | | | | |
| Voltage circuit | 0.4 VA | 0.6 VA | | | | | | | | | | | |
| | 0.1 W | 0.1 W | | | | | | | | | | | |
| Materials | Glass reinforced polycarbonate | | | | | | | | | | | | |
| Data storage | EEPROM, > 10 years without voltage | | | | | | | | | | | | |
| Display | LCD, 7 mm digit height (for value and unit fields) LCD, 5 mm digit height (identification readings) LCD, 3 mm digit height (voltage and tariff readings) | | | | | | | | | | | | |

Kamstrup 382 – Generation M

DATA SHEET

Technical data

| | |
|------------------------------|---|
| Meter constant | 1000 imp/kWh |
| S0 pulse diode | 1000 imp/kWh, kvarh Pulse time 30ms ± 10 % |
| S0 pulse output | 1000 imp/kWh Pulse time 30ms ± 10 % |
| Short circuit level | 4500 A |
| Real Time Clock (RTC) | |
| Accuracy | Typically 5 ppm at 23°C |
| Backup | Battery life > 10 years at normal operation Supercap life > 10 years at normal operation |
| Supercap operating time | 4 days fully charged |

Connections

| Size | For use with connection: | | |
|--------------------|--------------------------|---------------------|-----------------------|
| | Multi-cored | 7-cored | Massive/terminal tube |
| 35 mm ² | ≥ 6 mm ² | ≥ 6 mm ² | ≥ 2.5 mm ² |

| | |
|----------------|--|
| Terminals | Elevator terminals |
| Screws | Pz 2 or straight slot Tightening 2.5 - 3 Nm |
| Voltage output | 0.25 – 1.5 mm ² , 5 mm terminal forks |
| Screws | TORX Tx 10 Torque 1 Nm |

Kamstrup 382 – Generation M

DATA SHEET

Communication

Kamstrup 382M can be supplied and retrofitted with communication modules. The modules function as inputs and outputs for the meter. Mounting of modules does not require subsequent verification of the meter.

Communication Modules

| | |
|-----------|--|
| S0 supply | Sends 24 V via a 2-wire and pulses by drawing the voltage to 0 V at each pulse. Can supply e.g. MULTICAL®. |
| Serial | Serial RS-485 or RS-232 communication or current loop with pulse inputs, tariff inputs or load control. |
| M-Bus | Reading via wireless or wired M-Bus system. |
| TCP/IP | Collection of consumption data via TCP/IP communication. |
| GSM/GPRS | Collection of consumption data via GSM/GPRS communication. Supports SMS reading. |
| Radio | Collection of consumption data via radio-based communication. |

Integrated radio

Kamstrup 382M can be provided with built-in radio communication for Kamstrup Radio Mesh Network. Radio communication therefore requires no mounting/retrofitting of communication module. If the meter's module area is used for another type of communication, the built-in radio communication can be deactivated.

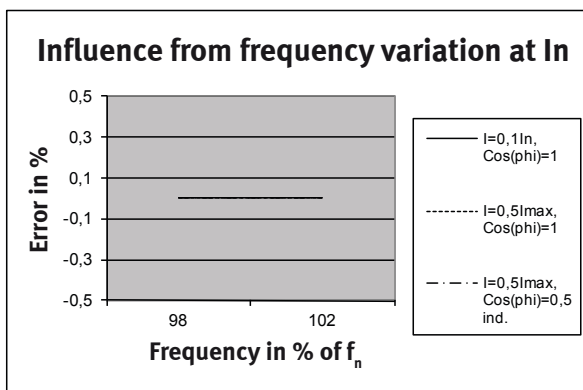
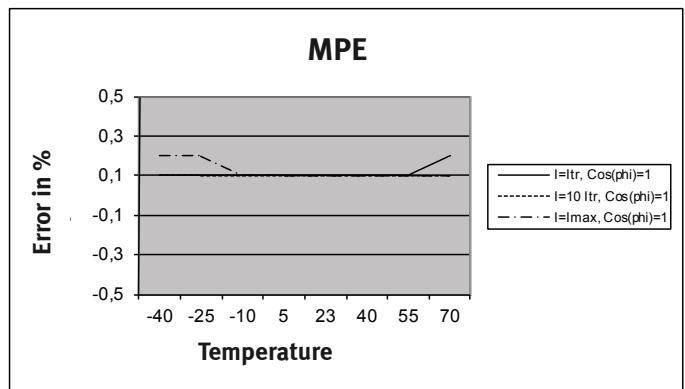
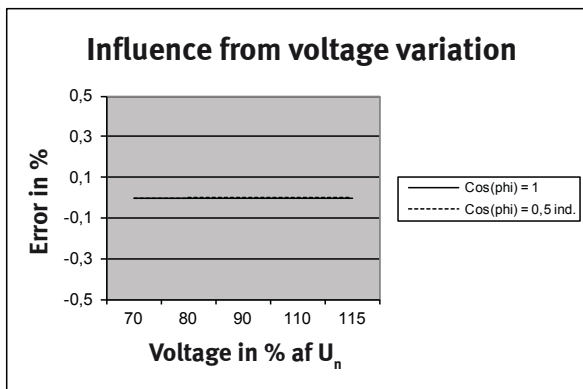
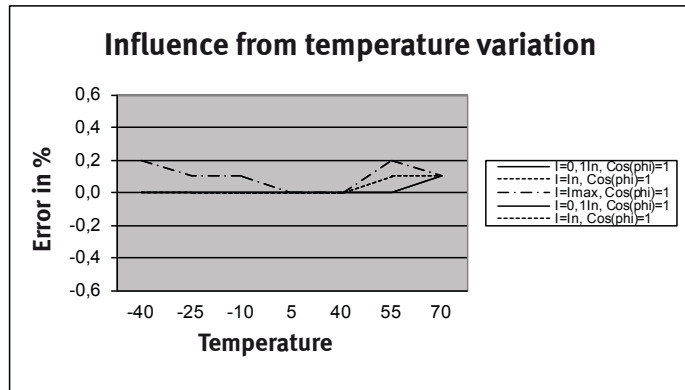
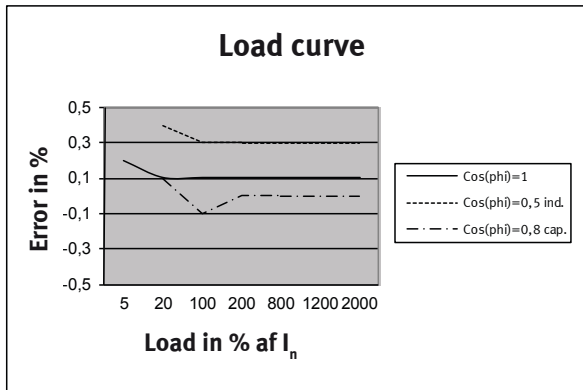
CCC-module

In Kamstrup 382M it is possible to mount a CCC- (Consumer Communication Channel) module. The module can be used for communication and data exchange with Smart Home products such as energy displays and external relays. The CCC-module is mounted without using tools or breaking the seal of the meter. The mounting may be done by e.g. the consumer himself.

Kamstrup 382 – Generation M

DATA SHEET

Typical accuracy charts



MPE (Maximum Permissible Error)

Error composed of:

- current load
- voltage variation
- frequency variation
- temperature variation

Kamstrup 382 – Generation M

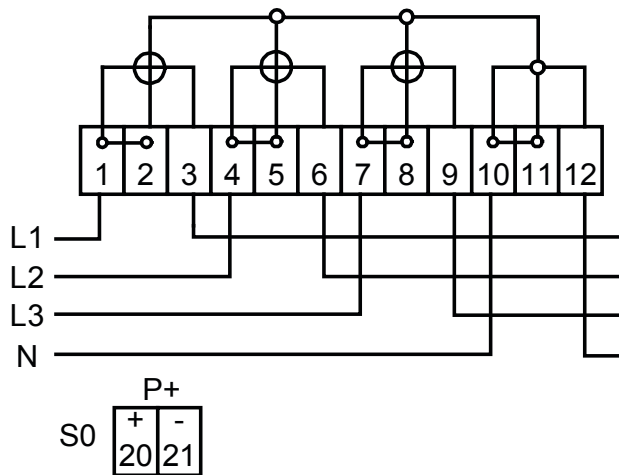
DATA SHEET

Installation

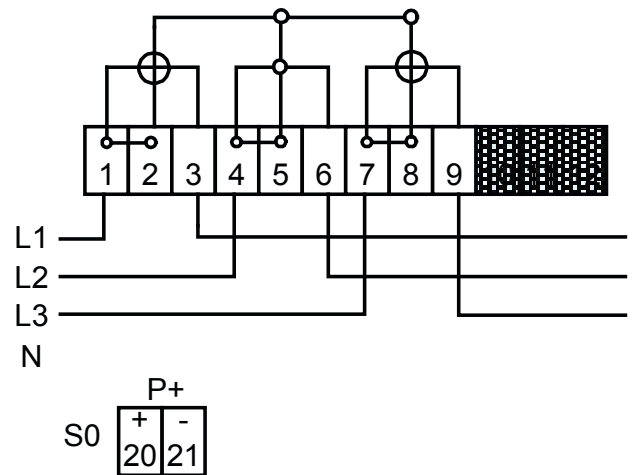
Connection diagram

Connection diagram appears from the front of the meter.

3-phase, 4-wire



3-phase, 3-wire (Aron)



Safety and installation guidelines

The meter shall only be used for measuring electrical energy and shall operate within the specified values only.

The meter must be switched off when working on it. It can be highly dangerous to touch connected meter parts.

Current local standards, guidelines, regulations and instructions must be observed. Only authorized personnel are permitted to install electricity meters.

Meters for direct connection must be protected against short circuit by a backup fuse in accordance with the maximum current stated on the meter.

The relevant backup fuse must therefore be removed and kept in a place where it cannot be inserted by unauthorized personnel.

The meter constant LED flashes proportionally to the consumed active energy.

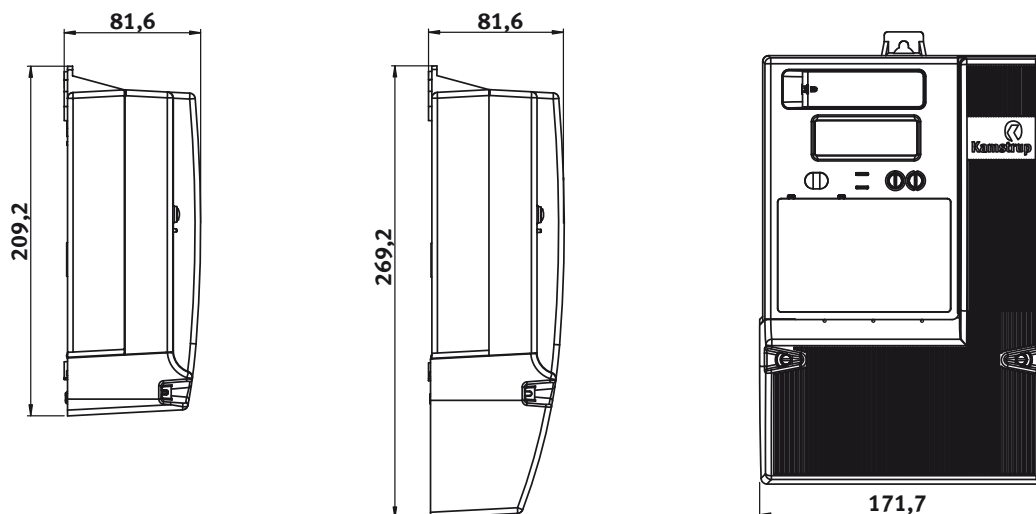
Only authorized personnel must break the utility sealing.

Warning! The breaker function in the meter must **not** be used as safety function. When the meter's breaker function is used, the meter is still carrying a voltage.

Kamstrup 382 – Generation M

DATA SHEET

Dimensions



Accessories

Modules

| | |
|---|-----------|
| S0 supply module | 68 50 001 |
| Data/pulse module, relay output | 68 50 075 |
| Tariff module, 4 tariffs, 230 VAC, current loop | 68 50 018 |
| IP101i, TCP/IP module | 68 50 040 |
| GSM6i, GSM6i/RF, GSM7i, GSM8i | 68 50 053 |
| 5A load control module | 68 50 058 |
| Wireless M-Bus | 68 50 064 |
| M-Bus module | 68 50 068 |
| 5A load control module | 68 50 069 |
| RS485 | 68 50 072 |

Software

| | |
|---------------------------------------|-----------|
| Configuration SW, METERTOOL OMNIPower | 68 99 580 |
|---------------------------------------|-----------|

Various

| | |
|--|-----------|
| Standard cover for 382M | 59 60 315 |
| Long terminal cover 60 mm | 59 60 316 |
| Optical reading head with USB plug | 66 99 099 |
| Optical reading head with 9-pole D-sub connector | 66 99 102 |
| METERTOOL kit | 68 30 017 |
| Pins, 50 pcs. | 68 50 102 |
| Cable sockets, 50 pcs. | 68 50 103 |